
Standards

Flange butterfly valves: MSS-SP-67
 Wafer butterfly valves: MSS SP-68 or API609
 Face to face dimensions: ANSIB16.10 MSS SP-67
 and MSS SP-68 or 609
 Test: API 598

End flange dimensions

NPS 1 1/2"-24": ANSIB16.5
 NPS 30"-72": MSS SP-44 or API605

Type of construction

Flange butterfly valves(Hard face and softface)
 Wafer butterfly valves(Hard face and soft face)
 Type of connection
 RF and RTJ flange ends to ANSIB16.5 or API 605
 and MSS SP-44 standard.
 Type of operation
 Lever
 Worm gear actuator, Electric actuator, Pneumatic actuator.
 Actuator dimensions to ISO 5211 standard.

Material list

NO.	Part Name	Carbon Steel		Alloy Steel			Stainless Steel			
		WCB	LCB	WC6	WC9	C5	CF8	CF8M	CF3	CF3M
1	Body	A216WCB	A352LCB	A217 WC6	A217 WC9	A217 C5	A351 CF8	A351 CF8M	A351 CF3	A351 CF3M
2	Butterfly Plate	A216WCB	A352LCB	A217 WC6	A217 WC9	A217 C5	A351 CF8	A351 CF8M	A351 CF3	A351 CF3M
3	Seat Ring	PTFE or Stainless steel and graphite spiral wound								
4	Axle	A182 F6	A182 F6	A182 F304	A182 F304	A182 F304	A182 F304	A182 F316	A182 F304L	A182 F316L
5	Below Axle bush	A439 D2 or A436 Austenite iron								
6	TopAxle bush	A439 D2 or A436 Austenite iron								
7	Lock Ring	A105	A182 F6	A182 F22	A182 F22	A182 F22	A182 F304	A182 F304	A182 F304L	A182 F316L
8	Axle packing									
9	Gland	A182 F6	A182 F6	A182 F304	A182 F304	A182 F304	A182 F304	A182 F316	A182 F304L	A182 F316L
10	Gland flange	A216WCB	A352LCB	A217 WC6	A217 WC9	A217 C5	A351 CF8	A351 CF8M	A351 CF3	A351 CF3M
11	York	A216WCB	A352LCB	A217 WC6	A217 WC9	A217 C5	A351 CF8	A351 CF8M	A351 CF3	A351 CF3M
12	Bolt	PTFE or Graphite								
13	Below Cap	A216WCB	A352LCB	A217 WC6	A217 WC9	A217 C5	A351 CF8	A351 CF8M	A351 CF3	A351 CF3M
14	Bolt	A193 B7 A302L7 A193 B16 A320 B8 A193 B8M								
15	Pin	Carbon steel or Alloy Steel								
16	Sealing-face overlay	Soft face(PTFE) Hard face(13Cr and 18Cr-8Ni or Co-Cr-a)								

The material is according to ASTM standard.

Class 125 ~ 300

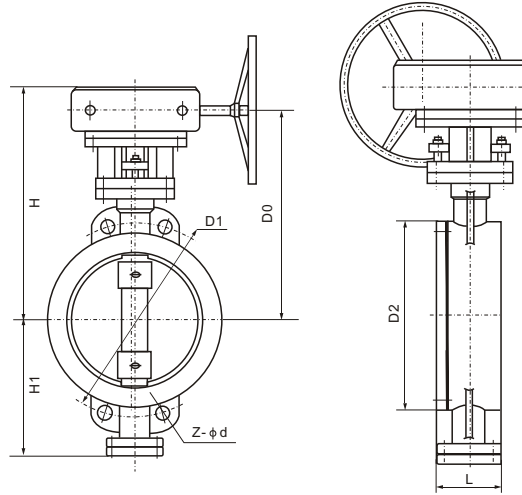
Main dimensions and weight

CLASS 125													
DN	mm	400	450	500	600	700	900	1050	1200	1350	1500	1650	1800
NPS	in	16	18	20	24	30	36	42	48	54	60	66	72
L	mm	203.2	203.2	203.2	203.2	304.8	304.8	304.8	381.0	381.0	381.0	457.2	457.2
	in	8	8	8	8	12	12	12	15	15	15	18	18
L1	mm	79.3	101.6	127	154	165.1	200.2	251	276.4				
	in	3.12	4	5	6.06	6.5	7.88	9.88	10.88				
H	mm	481	521	568	398	903	1031	1122	1180	1425	1545	1624	1750
	in	19	20.5	22.4	27.5	35.6	40.6	44.2	46.5	56.1	60.8	64	69
D0(W)	mm	300	400	450	500	*350	*350	*350	*350	*350	*350	*350	*350
	in	11.8	15.8	17.7	19.7	13.8	13.8	13.8	13.8	13.8	13.8	13.8	13.8
RF(Kg), BW(Kg)		230	274	375	595	1030	1985	2100	3420	3670	3880	4100	4250
		200	248	334	510	880	1580	1680	2736				

CLASS 150													
DN	mm	40	50	65	80	100	125	150	200	250	300	350	400
NPS	in	1 1/2	2	2 1/2	3	4	5	6	8	10	12	14	16
L	mm				127	127	127	127	152	203.2	203.2	203.2	203.2
	in				5	5	5	5	6	8	8	8	8
L1	mm	38.1	46	50.8	48	54	63.5	57	63.5	71.5	81.0	92.0	101.5
	in	1.5	1.81	2	1.88	2.13	2.5	2.25	2.50	2.81	3.19	3.62	4.00
H	mm	185	190	220	229	239	252	284	307	337	392	435	481
	in	7.28	7.48	8.7	9	9.4	9.9	11.2	12	13.3	15.4	17.1	19
D0(W)	mm	160	160	160	160	160	160	160	200	200	250	250	300
	in	6.3	6.3	6.3	6.3	6.3	6.3	6.3	7.9	7.9	9.8	9.8	11.8
RF(Kg), BW(Kg)					12.5	13.5	17	38	72	105	148	182	230
		8	9	10	10	11	14.5	34.2	66	98	134	168	200

CLASS 150													
DN	mm	450	500	600	750	900	1050	1200	1350	1500	1650	1800	
NPS	in	18	20	24	30	36	42	48	54	60	66	72	
L	mm	203.2	203.2	203.2	304.8	304.8	304.8	381.0	381.0	381.0	457.2	457.2	
	in	8	8	8	12	12	12	15	15	15	18	18	
L1	mm	114.5	127	154	165.1	200.2	251	276.4					
	in	4.50	5.00	6.06	6.50	7.88	9.88	10.88					
H	mm	521	568	698	903	1031	1122	1180	1425	1545	1624	1750	
	in	20.5	22.4	27.5	35.6	40.6	44.2	46.5	56	60.8	64	69	
D0(W)	mm	400	450	500	*350	*350	*350	*350	*350	*350	*350	*350	
	in	15.8	17.7	19.7	13.8	13.8	13.8	13.8	13.8	13.8	13.8	13.8	
RF(Kg), BW(Kg)		274	375	595	1030	1985	2100	3420	3875	3980	4210	4335	
		248	334	510	880	1580	1680	2736					

CLASS 300													
DN	mm	40	50	65	80	100	125	150	200	250	300	350	400
NPS	in	1 1/2	2	2 1/2	3	4	5	6	8	10	12	14	16
L	mm				127	127	127	127	152.4	203.2	203.2	203.2	203.2
	in				5	5	5	5	6	8	8	8	8
L1	mm	38.1	46	50.8	48	54	57.2	59	73	82.5	92	117.5	133.5
	in	1.5	1.81	2.0	1.88	2.12	2.25	2.31	2.88	3.25	3.62	4.62	5.25
H	mm	185	190	220	229	248	258	301	318	365	415	458	510
	in	7.28	7.48	8.7	9	9.8	10.2	11.9	12.5	14.4	16.3	18	20
D0(W)	mm	160	160	160	160	160	160	200	200	250	300	400	450
	in	6.3	6.3	6.3	6.3	6.3	6.3	7.9	7.9	9.8	11.8	158	17.7
RF(Kg), BW(Kg)					12.5	15.7	19.8	42	97	167	182	268	287
		9	10.5	11.5	12.5	13.2	17.6	39.8	88	143	157	222	253


Main dimensions and weight

Unit: mm

Class	Size (in)	L	D1	D2	z-φd	D0	H1	H		Wt(kg)	
								D73	D373	D73	D373
150	1 1/2	33	98.5	73	4-15	140	76	200	250	5	7
	2	43	120.5	92	4-19	140	85	208	260	6	8.5
	2 1/2	46	139.5	105	4-19	160	95	228	284	8.5	11
	3	49	152.5	127	4-19	160	110	256	322	11.5	15.5
	4	56	190.5	157	8-19	180	122	278	338	16	18.5
	5	64	216	186	8-22	180	138	298	372	20.5	22.5
	6	70	241.5	216	8-22	230	158	326	404	-	28
	8	71	298.5	270	8-22	230	188	-	496	-	50
	10	76	362	324	12-25	280	224	-	558	-	64
	12	83	432	381	12-25	310	254	-	632	-	80
	14	92	476	413	12-29	310	288	-	672	-	104
	16	102	540	470	16-29	310	320	-	714	-	137.5
	18	114	578	533	16-32	380	350	-	768	-	177.5
	20	127	635	584	20-32	380	388	-	828	-	227
24	154	749.5	692	20-35	450	404	-	952	-	306.5	
300	1 1/2	33	114.5	73	4-22	140	76	200	250	4.5	8.5
	2	43	127	92	4-19	140	85	208	260	6	9.5
	2 1/2	46	149	105	8-22	180	95	228	294	7	12
	3	49	168.5	127	8-22	180	110	256	332	9.5	17
	4	56	200	157	8-22	230	130	285	364	13	20
	5	64	235	186	8-22	230	148	308	396	18	24.5
	6	70	270	216	12-22	280	165	336	430	22.5	30.5
	8	71	330	270	12-25	280	198	-	522	-	54
	10	76	387.8	324	16-29	310	234	-	574	-	68
	12	83	451	381	16-32	380	266	-	668	-	86
	14	92	514.5	413	20-32	380	302	-	708	-	112
	16	102	571.5	470	20-35	380	338	-	750	-	148
	18	114	628.5	533	24-35	450	365	-	804	-	190
	20	127	686	584	24-35	450	402	-	862	-	242
24	154	813	692	24-41	560	448	-	1008	-	326	